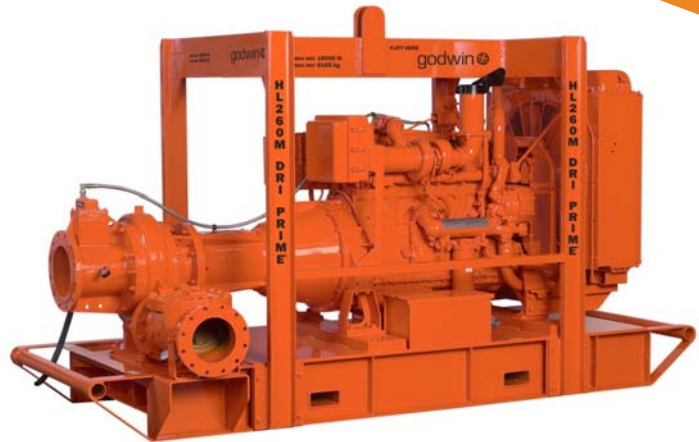


HL260M Dri-Prime® Pump

The Godwin Dri-Prime HL260M pump offers flow rates to 5550 USGPM and has the capability of discharge pressures to 209 psi.

The HL260M is able to automatically prime to 28' of suction lift from dry. Automatic or manual starting/stopping available through integral mounted control panel or optional wireless-remote access.

High discharge pressure, dry-running, and portability make the HL260M the perfect choice for mining, industrial and emergency fire backup applications.



Features and Benefits

- Simple maintenance normally limited to checking fluid levels and filters.
- Dri-Prime (continuously operated Venturi air ejector priming device) requiring no periodic adjustment or control. Optional automatic on-off control available on the priming system.
- Dry-running high pressure liquid bath mechanical seal with high abrasion resistant solid tungsten faces.
- Close-coupled centrifugal pump with Dri-Prime system coupled to a diesel engine or electric motor.
- All cast steel construction (stainless steel construction option available) with cast steel impeller.
- Also available in a critically silenced unit which reduces noise levels to less than 70dBA at 30'.
- Standard engine Caterpillar C18 (T3 Flex).

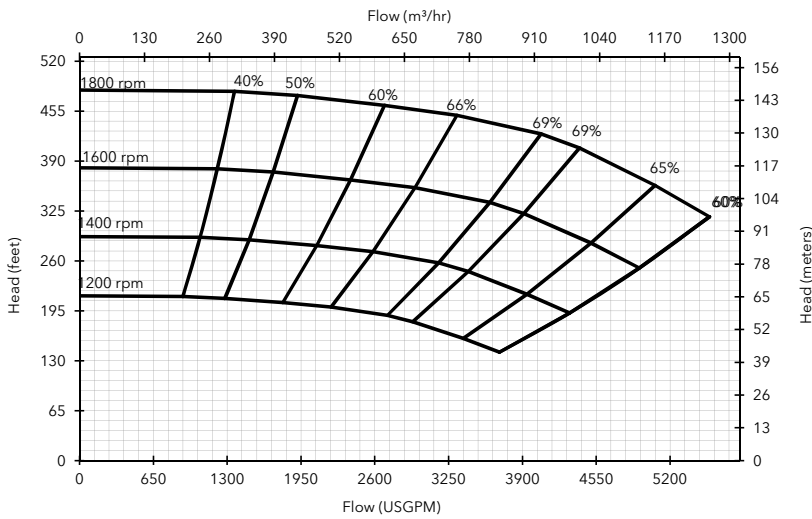
Specifications

Suction connection	10" 150# ANSI B16.5
Delivery connection	10" 150# ANSI B16.5
Max capacity	5550 USGPM †
Max solids handling	2.0"
Max Impeller diameter	21.3"
Max operating temp	176°F*
Max working pressure	209 psi
Max suction pressure	87 psi
Max casing pressure	314 psi
Max operating speed	1800 rpm

* Please contact our office for applications in excess of 176°F.

† Larger diameter pipes may be required for maximum flows.

Performance Curve



Materials

Pump casing & suction cover	Cast steel BS3100 A5
Wearplates	Cast Iron Chrome 1.0/1.5% Nickle 2%
Pump Shaft	Carbon steel BS 970 - 1991 817M40T
Impeller	Cast Steel BS3100 A5 Hardness to 200 HB Brinell
Non-return valve body	Cast Iron
Mechanical seal	Double Mech seal; Tungsten carbide face; Viton elastomers; Stainless steel body

Engine option 1

Caterpillar C18 (T3 Flex), 700 HP @ 1800 rpm

Impeller diameter 21.3"

Pump speed 1800 rpm

Suction Lift Table

Total Suction Head (feet)	Total Delivery Head (feet)				
	361	394	427	443	459
	Output (USGPM)				
10	4733	4073	3302	2642	1321
15	4733	4073	3302	2642	1321
20	3742	3522	3082	2201	1321
25	2201	1761	1321	881	-

Fuel capacity: 375 US Gal

Max Fuel consumption @ 1800 rpm: 36.2 US Gal/hr

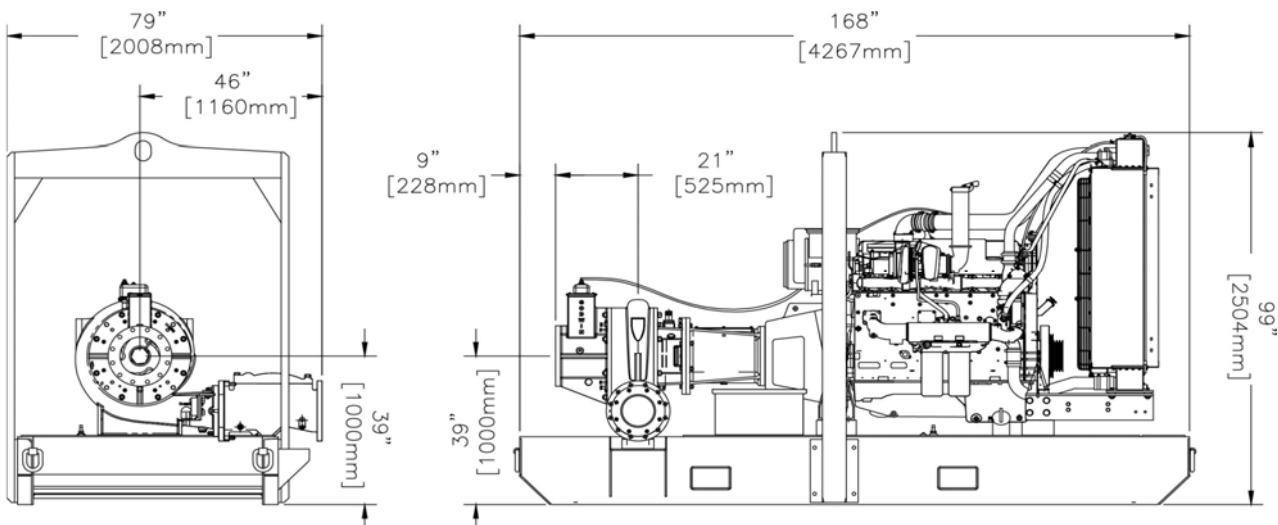
Max Fuel consumption @ 1600 rpm: 34.0 US Gal/hr

Weight (Dry): 14,850 lbs

Weight (Wet): 17,550 lbs

Dimensions: (L) 168" x (W) 79" x (H) 99"

Performance data provided in tables is based on water tests at sea level and 20°C ambient. All information is approximate and for general guidance only. Please contact the factory or office for further details.



84 Floodgate Road
Bridgeport, NJ 08014 USA
(856) 467-3636 . Fax (856) 467-4841
Email: sales@godwinpumps.com

Reference number : 95-1119-3000
Date of issue : September 15, 2014
Issue : 4

www.godwinpumps.com