

Heidra 100TD Hydraulic Submersible Pump

The Godwin Heidra 100TD hydraulic submersible pump is a compact self-contained pumping unit featuring a diesel driven power pack and 4" hydraulic pump end. With variable speed diesel engine power, the Heidra 100TD offers flow rates to 720 USGPM and has the capability of handling solids up to 1.8" in diameter.



Please contact the factory or office for further details. A typical picture of the pump is shown. All information is approximate and for general guidance only.

Features and Benefits

- Hydraulic motor circuit designed to allow automatic start and stopping without damage to submersible pump.
- Hard faced mechanical seal in its own clean oil bath allows for indefinite dry running.
- Gear motor connections are standard SAE flange & shaft, which allows easy connection to bearing bracket.

Materials

Pump casing	Cast iron to BS1452 Grade 220
Wear plates	Cast Iron to BS1452 Grade 220
Pump Shaft	Carbon Steel BS 970-3:1991 080M41
Impeller	Cast Steel BS 3100:1991 A5 Harness 200 HB
Mechanical Seal Face	Silicon Carbide vs Silicon Carbide
Suction Strainer	Fabrication Mild Steel tube and plate

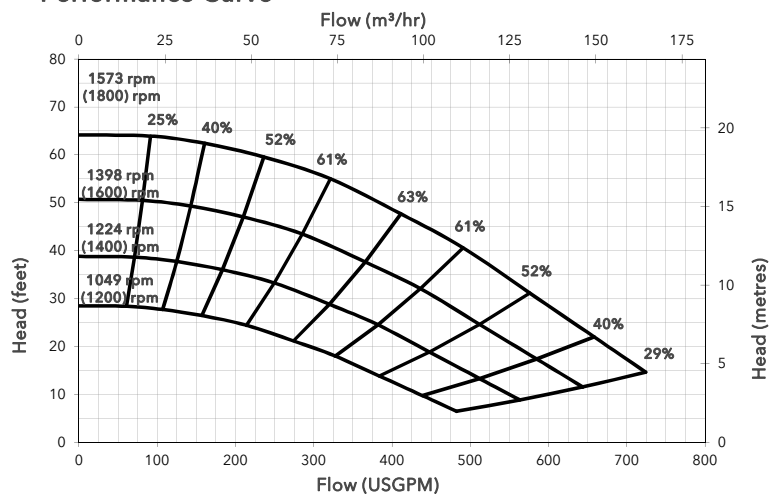
Hydraulic Motor Data

Max Drive pressure	3500 psi
Hydraulic motor	Gear type
Hydraulic Flow	4-9 USGPM

* Please contact our office for applications in excess of 176°F.

† Larger diameter pipes may be required for maximum flows.

Performance Curve



NOTE: Curves reference pump speed with power pack engine speed in parenthesis. Performance base on new hydraulic components. Age and wear will reduce performance.

Pump End Specifications

Suction Size	4" with strainer
Discharge Size	4" NPT (F)
Max capacity	720 USGPM †
Max operating speed	1800 rpm
Max Impeller diameter	9.1"
Max operating temperature	140 °F *
Max working pressure	58 psi
Max suction pressure	32 psi
Max casing pressure	87 psi
Max Solids handling	1.8"
Dimensions (L x W x H)	19" (L) x 17" (W) x 23" (H)
Weight	165 lbs



84 Floodgate Road
Bridgeport, NJ 08014 USA
(856) 467-3636 . Fax (856) 467-4841

Reference number : 200GPA0000132

Date of issue : March 04, 2016

Issue : -

www.godwinpumps.com

GHPU10 Hydraulic Power Pack

The Godwin GHPU10 hydraulic power pack features an open loop hydraulic system with integrated oil filter and strainer. One on/off handle provides simple operation with integrated pressure relief and open center hydraulic valve.

Hydraulic Pump Data

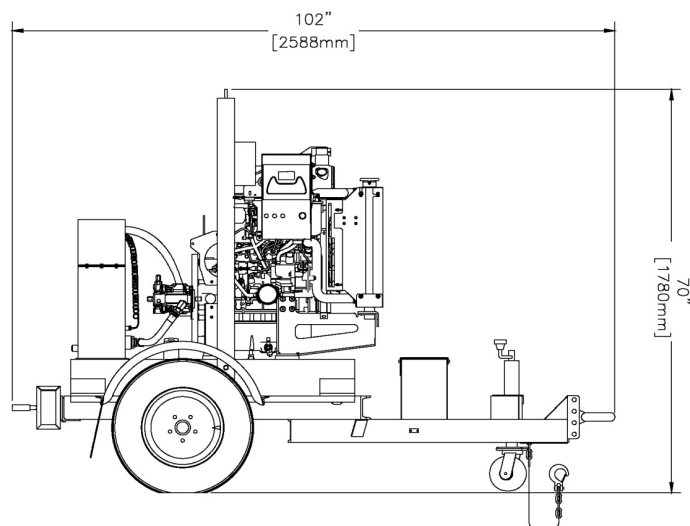
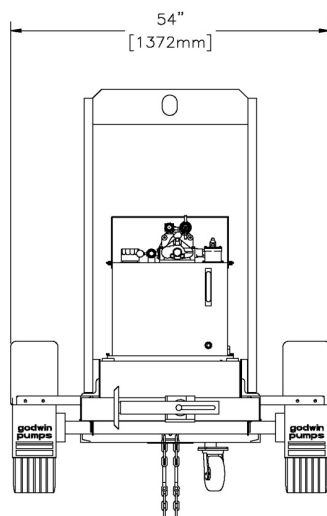
Max Drive pressure	3500 psi
Hydraulic pump	Gear type
Hydraulic Flow	4-9 USGPM
Reservoir capacity	10 US Gallons

Hydraulic Hose

Feed	(1) 3/4" x 50' with wingnut
Return	(1) 3/4" x 50' with wingnut
Bleed	(1) 1/2" x 50' with push connect
Slurry Gate	N/A

Power Pack - Option 1

Engine model: Yanmar 3TNV88C (FT4)
Engine power: 25 HP @ 1800 rpm
Fuel capacity: 30 US Gallons
Max Fuel consumption @ 1800 rpm: 0.8 US Gallons/hr
Max Fuel consumption @ 1200 rpm: 0.5 US Gallons/hr
Output flow: 7 USGPM
Weight (dry): 1,600 lbs
Weight (wet): 1,820 lbs
Dimensions: 102" (L) x 54" (W) x 70" (H)



84 Floodgate Road
Bridgeport, NJ 08014 USA
(856) 467-3636 . Fax (856) 467-4841

Reference number : 200GPA0000132
Date of issue : March 04, 2016
Issue : -
www.godwinpumps.com