

Heidra 150V Hydraulic Submersible Pump

The Godwin Heidra 150V hydraulic submersible pump is a compact self-contained pumping unit featuring a diesel driven power pack and 6" hydraulic pump end. With variable speed diesel engine power, the Heidra 150V offers flow rates to 1650 USGPM and has the capability of handling solids up to 4.9" in diameter.



Please contact the factory or office for further details. A typical picture of the pump is shown. All information is approximate and for general guidance only.

Features and Benefits

- Hydraulic motor circuit designed to allow automatic start and stopping without damage to submersible pump.
- Hard faced mechanical seal in its own clean oil bath allows for indefinite dry running.
- Gear motor connections are standard two-bolt SAE flange & shaft, which allows easy connection to bearing bracket.

Materials

Pump casing	Cast iron to BS1452 Grade 220
Wear plates	Cast Iron to BS1452 Grade 220
Pump Shaft	Carbon Steel BS 970-3:1991 080M40
Impeller	Cast Steel BS 3100:1991 Grade BW2
Mechanical Seal Face	Silicon Carbide vs Silicon Carbide
Suction Strainer	Fabrication Mild Steel tube and plate

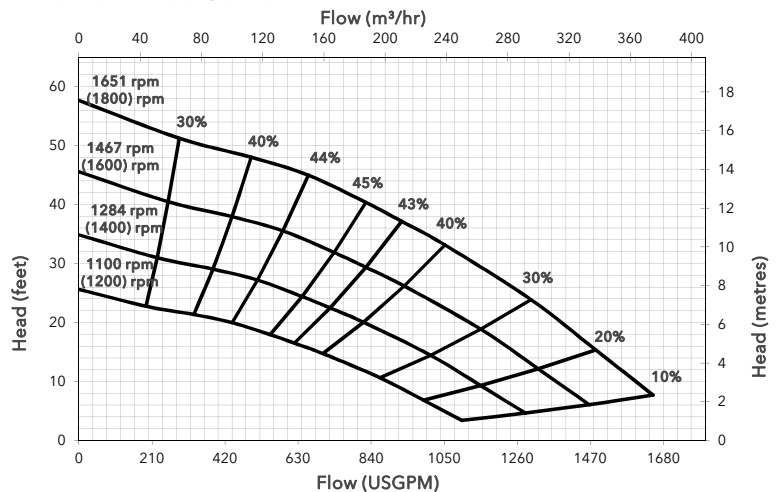
Hydraulic Motor Data

Max Drive pressure	3500 psi
Hydraulic motor	Gear type
Hydraulic Flow	17-31 USGPM

* Please contact our office for applications in excess of 176°F.

† Larger diameter pipes may be required for maximum flows.

Performance Curve



NOTE: Curves reference pump speed with power pack engine speed in parenthesis. Performance base on new hydraulic components. Age and wear will reduce performance.

Pump End Specifications

Suction Size	6" with strainer
Discharge Size	6" NPT (F)
Max capacity	1650 USGPM †
Max operating speed	1800 rpm
Max Impeller diameter	11.0"
Max operating temperature	140 °F *
Max working pressure	58 psi
Max suction pressure	29 psi
Max casing pressure	87 psi
Max Solids handling	4.9"
Dimensions (L x W x H)	23" (L) x 20" (W) x 32" (H)
Weight	355 lbs



84 Floodgate Road
Bridgeport, NJ 08014 USA
(856) 467-3636 . Fax (856) 467-4841

Reference number : 200GPA0001057

Date of issue : May 04, 2016

Issue : -

www.godwinpumps.com

GHPU30 Hydraulic Power Pack

The Godwin GHPU30 hydraulic power pack features an open loop hydraulic system with integrated oil filter and strainer. One on/off handle for simple operation with integrated pressure relief and open center hydraulic valve.

Hydraulic Pump Data

Max Drive pressure	3500 psi
Hydraulic pump	Gear type
Hydraulic Flow	17-31 USGPM
Reservoir capacity	40 US Gallons

Power Pack - Option 1

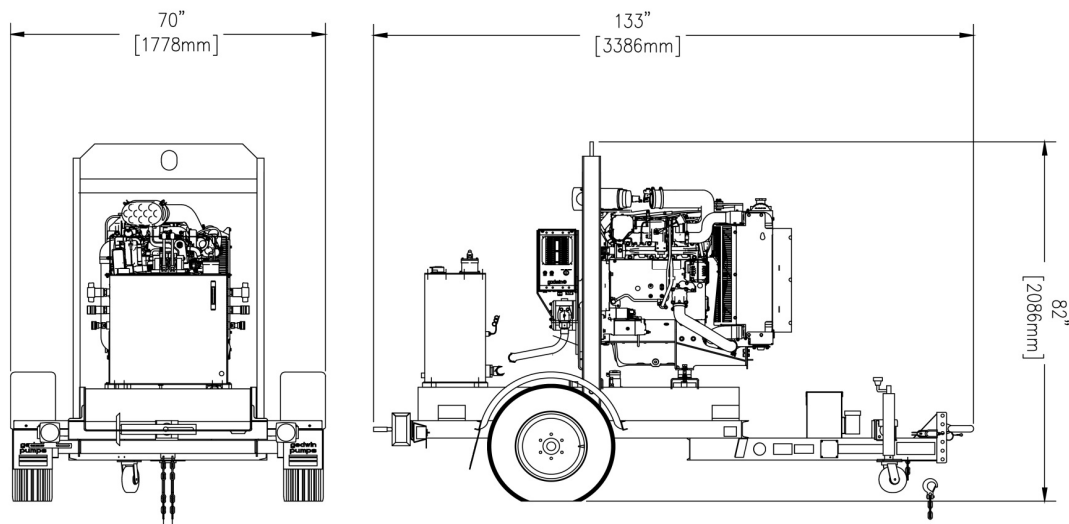
Engine model: JCB TCAE-55 (FT4)
Engine power: 74 HP @ 2200 rpm
Fuel capacity: 100 US Gallons
Max Fuel consumption @ 2200 rpm: 3.7 US Gallons/hr
Max Fuel consumption @ 1800 rpm: 2.9 US Gallons/hr
Output flow: 31 USGPM
Weight (dry): 3,570 lbs
Weight (wet): 4,290 lbs
Dimensions: 133" (L) x 70" (W) x 82" (H)

Hydraulic Hose

Feed	(1) 1" x 50' with wingnut
Return	(1) 1" x 50' with wingnut
Bleed	(1) 1/2" x 50' with push connect
Slurry Gate	N/A

Power Pack - Option 2

Engine model: John Deere 4045TFC03 (FT4)
Engine power: 74 HP @ 2200 rpm
Fuel capacity: 100 US Gallons
Max Fuel consumption @ 2200 rpm: 4.3 US Gallons/hr
Max Fuel consumption @ 1800 rpm: 3.4 US Gallons/hr
Output flow: 31 USGPM
Weight (dry): 3,540 lbs
Weight (wet): 4,260 lbs
Dimensions: 133" (L) x 70" (W) x 82" (H)



84 Floodgate Road
 Bridgeport, NJ 08014 USA
 (856) 467-3636 . Fax (856) 467-4841

Reference number : 200GPA0001057
 Date of issue : May 04, 2016
 Issue : -
www.godwinpumps.com