

# Heidra 80 Hydraulic Submersible Pump

The Godwin Heidra 80 hydraulic submersible pump is a compact self-contained pumping unit featuring a diesel driven power pack and 3" hydraulic pump end. With variable speed diesel engine power, the Heidra 80 offers flow rates to 310 USGPM and has the capability of handling solids up to 1.6" in diameter.



Please contact the factory or office for further details. A typical picture of the pump is shown. All information is approximate and for general guidance only.

## Features and Benefits

- Hydraulic motor circuit designed to allow automatic start and stopping without damage to submersible pump.
- Hard faced mechanical seal in its own clean oil bath allows for indefinite dry running.
- Gear motor connections are standard SAE flange & shaft, which allows easy connection to bearing bracket.

## Materials

Pump casing	Cast iron to BS1452 Grade 220
Wear plates	Cast Iron to BS1452 Grade 220 Nitrided
Pump Shaft	Carbon Steel BS 970-3:1991 080M40
Impeller	Cast Steel BS 3100:1991 Grade BW2
Mechanical Seal Face	Carbon vs SiC
Suction Strainer	Fabrication Mild Steel tube and plate

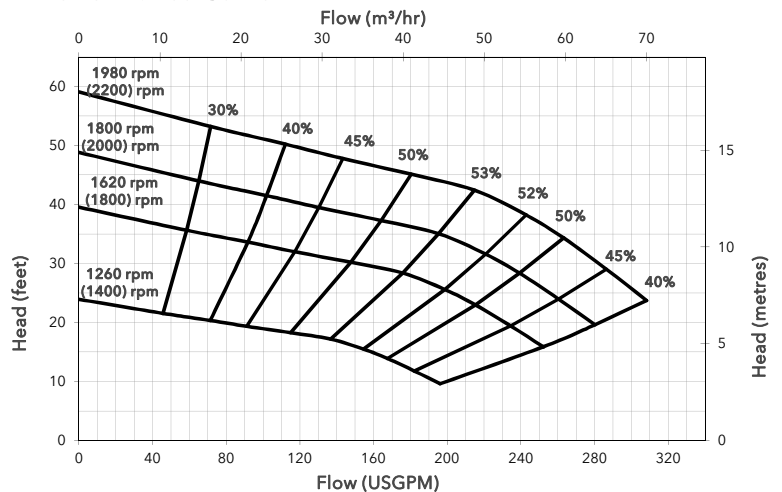
## Hydraulic Motor Data

Max Drive pressure	2500 psi
Hydraulic motor	Gear type
Hydraulic Flow	4-9 USGPM

\* Please contact our office for applications in excess of 176°F.

† Larger diameter pipes may be required for maximum flows.

## Performance Curve



NOTE: Curves reference pump speed with power pack engine speed in parenthesis. Performance base on new hydraulic components. Age and wear will reduce performance.

## Pump End Specifications

Suction Size	3" with strainer
Discharge Size	3" NPT (F)
Max capacity	310 USGPM †
Max operating speed	2000 rpm
Max Impeller diameter	6.5"
Max operating temperature	140 °F *
Max working pressure	44 psi
Max suction pressure	25 psi
Max casing pressure	65 psi
Max Solids handling	1.6"
Dimensions (L x W x H)	16" (L) x 14" (W) x 22" (H)
Weight	154 lbs



84 Floodgate Road  
Bridgeport, NJ 08014 USA  
(856) 467-3636 . Fax (856) 467-4841

Reference number : 200GPA0001053

Date of issue : April 28, 2016

Issue : -

[www.godwinpumps.com](http://www.godwinpumps.com)

# GHPU10 (HS80) Hydraulic Power Pack

The Godwin GHPU10 (HS80) hydraulic power pack features an open loop hydraulic system with integrated oil filter and strainer. One on/off handle for simple operation with integrated pressure relief and open center hydraulic valve.

## Hydraulic Pump Data

Max Drive pressure	2500 psi
Hydraulic pump	Gear type
Hydraulic Flow	4-9 USGPM
Reservoir capacity	10 US Gallons

## Hydraulic Hose

Feed	(1) 3/4" x 50' with wingnut
Return	(1) 3/4" x 50' with wingnut
Bleed	N/A
Slurry Gate	N/A

## Power Pack - Option 1

Engine model: Yanmar 3TNV80F (FT4)

Engine power: 18 HP @ 2200 rpm

Fuel capacity: 30 US Gallons

Max Fuel consumption @ 2200 rpm: 0.9 US Gallons/hr

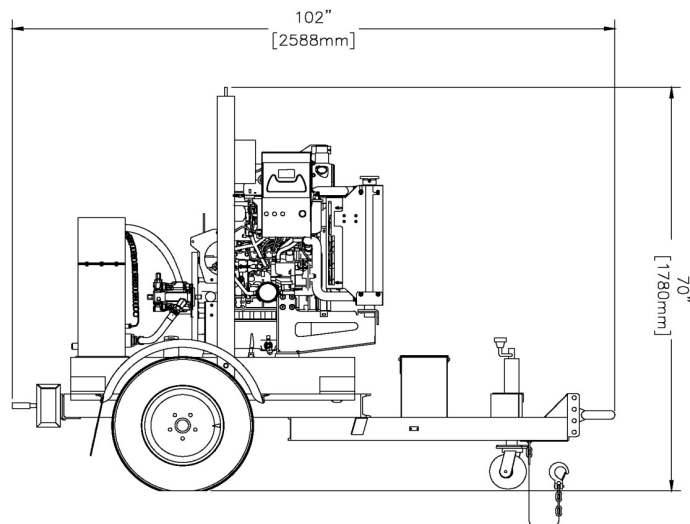
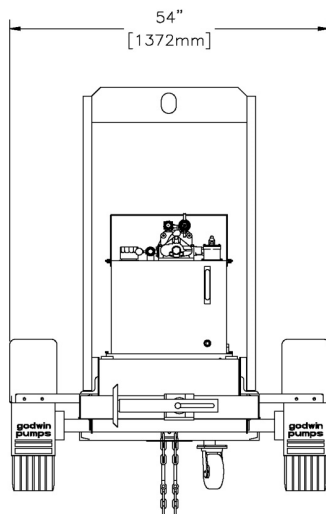
Max Fuel consumption @ 1200 rpm: 0.5 US Gallons/hr

Output flow: 8 USGPM

Weight (dry): 1,550 lbs

Weight (wet): 1,770 lbs

Dimensions: 102" (L) x 54" (W) x 70" (H)



84 Floodgate Road  
Bridgeport, NJ 08014 USA  
(856) 467-3636 . Fax (856) 467-4841

Reference number : 200GPA0001053

Date of issue : April 28, 2016

Issue : -

[www.godwinpumps.com](http://www.godwinpumps.com)